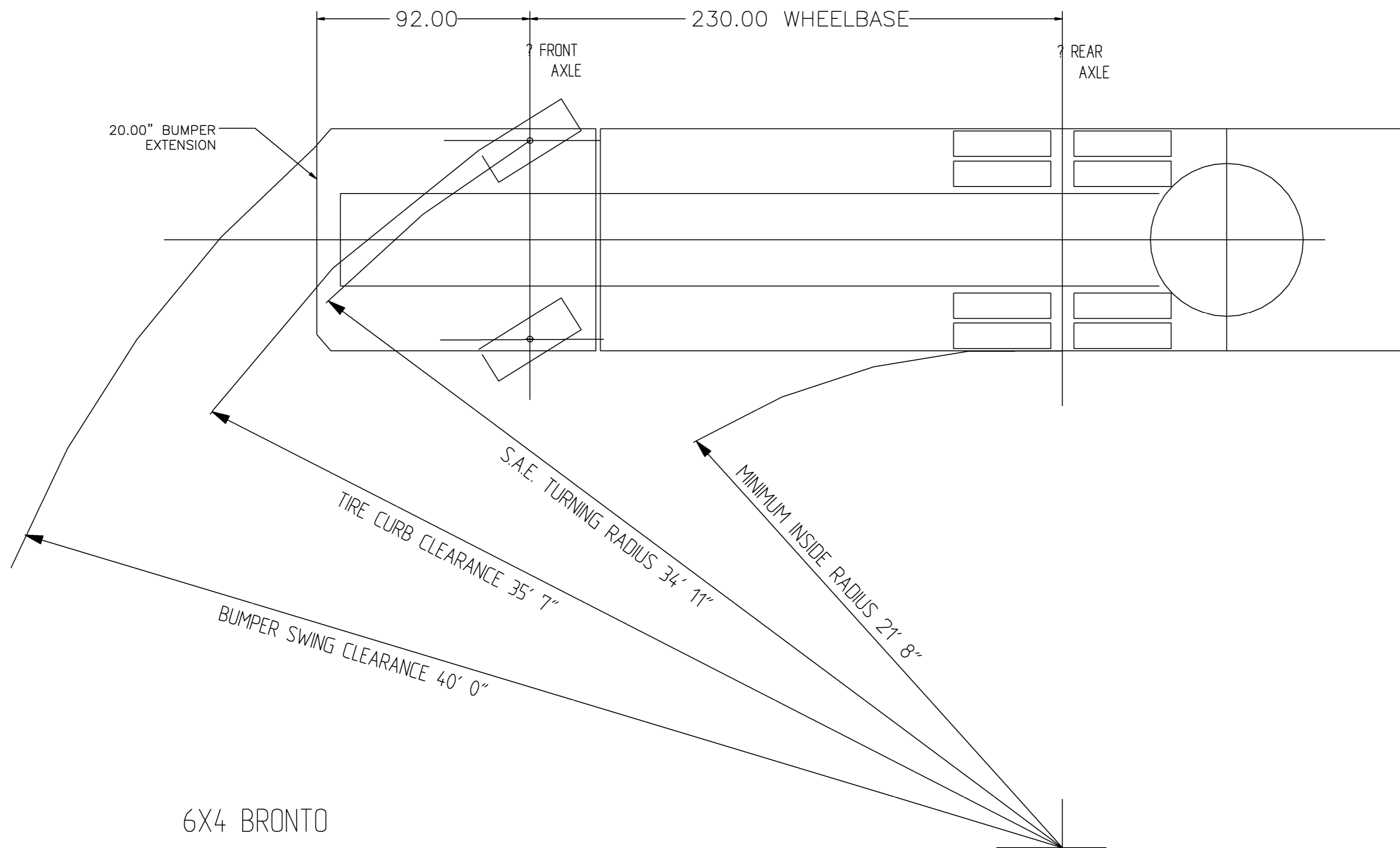


#	DESCRIPTION	DATE	APPROVED
A	INITIAL RELEASE	2004-08-27	C.JO
	TIBER		



6X4 BRONTO
 WHEELBASE 230.00"
 FL-943 FRONT AXLE
 40° DEGREE CRAMP ANGLE *
 445/65R 22.5 FRONT TIRES
 RT-58185 TANDEM REAR AXLES
 315/80R22.5 REAR TIRES

* FOR 17.00" DISC BRAKE APPLICATIONS
 * FOR 445/65R22.5 FRONT TIRE APPLICATIONS

DIMENSIONS ARE IN INCHES
 UNLESS OTHERWISE SPECIFIED.
 TOLERANCES ARE:
 LINEAR ANGULAR
 .X = ± .1 X = ± 1'
 .XX = ± .06 X = ± .5
 .XXX = ± .031
 .XXXX = ± .0156
 DO NOT SCALE DRAWING

		EMERGENCY ONE INC	
		OCALA FL USA	
DATE RELEASED	2004-08-27	TURNING RADIUS SPEC	
DRAWN BY	TIBER	RLP BRONTO W/ 17" DISC BRKS	
CHECKER	OSOWSKI	SIZE	663473
DESIGN APPROVAL	OSOWSKI	SCALE	1:24
SIMILAR TO:	639662	SHEET 1 OF 1	